

LED Floodlight

IP66 Industrial LED Wide Area Floodlight Luminaire

MA
200W / 300W / 400W



Specification:

Main body:

Cast Aluminium

Optic:

Silver coated reflector

Cover:

Tempered Glass 4.0T (clear)

Finish:

Grey powder coat

Power rating:

200W / 300W / 400W

Lumen output (Luminaire):

26000 / 39000 / 52000*

Applications: High output outdoor lighting | High-mast | Shipyards | Warehousing | Car Parks

Key Features:

- High efficiency LED lighting
- Glare-free for optimal uniformity
- Easy installation & replacement
- Available in 3 power ratings: 200W, 300W, 400W
- IP66 Ingress Protection
- Colour temperature: 3,000K, 4,000K, 5,000K
- Lumen efficiency (5,000K): 130 Lm/W*
- Minimum 80 CRI
- Operating temperature: -30°C to +55°C
- Input voltage, 100-277 Vac (50/60 Hz)
- Control option: Wireless (ZigBee)
- Various mounting options available
- 5 year warranty

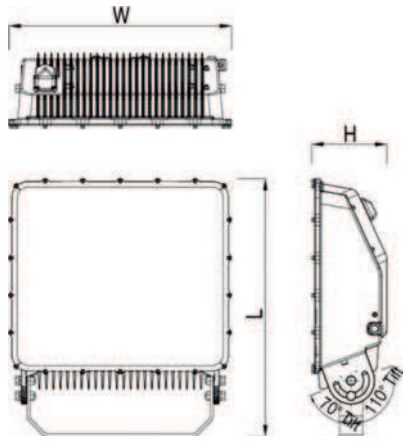
Electrical Specification:

- Input Voltage:** 100 - 277 Vac
- Input Current:** 200W - Max 2.5A (@100 Vac)
300W - Max 4.0A (@100Vac)
400W - Max 5.0A (@100Vac)
- Power Factor:** 0.9 at Max load
- Frequency:** 50/60 Hz
- Surge Protection:** Line-Line 20KV, Line-FG 20KV
- Driver Type:** Constant Current

* Tolerance +/- 5%

Earlsmann reserve the right to change the specification without notice Rev 011015

Dimensions:



MA 200W		
Size (W x L x H)	14.1 x 21.7 x 6.3 (inch)	357.0 x 551.5 x 160.5 (mm)
Weight (Driver included)	22.1 lb	10.0 Kg
MA 300W		
Size (W x L x H)	18.7 x 21.7 x 6.3 (inch)	475.0 x 551.5 x 160.5 (mm)
Weight (Driver included)	33.1 lb	15.0 Kg
MA 400W		
Size (W x L x H)	22.7 x 22.7 x 8.5 (inch)	577 x 576.5 x 215.5 (mm)
Weight (Driver included)	44.0 lb	20.0 Kg

Control System (optional):

ZigBee (Mesh Networking)	Wireless Control
Standard	2.4 GHz - IEEE 802.15.4 (Compatible)
Network	Mesh
RF Tx Power	Max. +8 dBm (Typ. 6 dBm)
Data Rate	250 kbps
Security	128 bit AES Encryption Algorithms
Dimmer	PWM, 0-10 Vdc
Antenna	Omni Type, 2 dBi
Input Voltage	15 Vdc
Max. Power Consumption	0.3 W (@15Vdc)

Bracket:

Contact sales office for further information regarding bracket options.

Ordering Information - IP66 Industrial LED Wide Area Floodlight Luminaire:

	000	-	O	OO	O	OO	OOO
	Power Consumption		Input Voltage	CCT(K)	Dimming Control	Fixture Colour	Bracket
MA	200=200W 300=300W 400=400W		A=100~277V B=100~240V C=347~480V	30=3000 40=4000 50=5000	N=None Z=ZigBee	G1=Grey Powder	010=BK010010 020=BK010020 090=BK010090 100=BK010100 110=BK010110 120=BK010120 130=BK010130 140=BK010140 200=BK010200 210=BK010210 220=BK010220 230=BK010230 240=BK010240 250=BK010250